



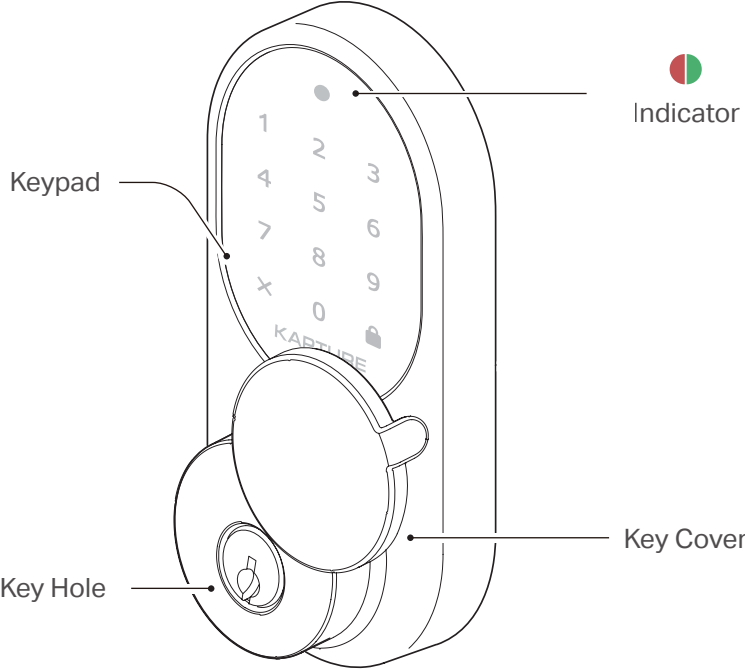
KAPTURE

Smart Lock Instructions

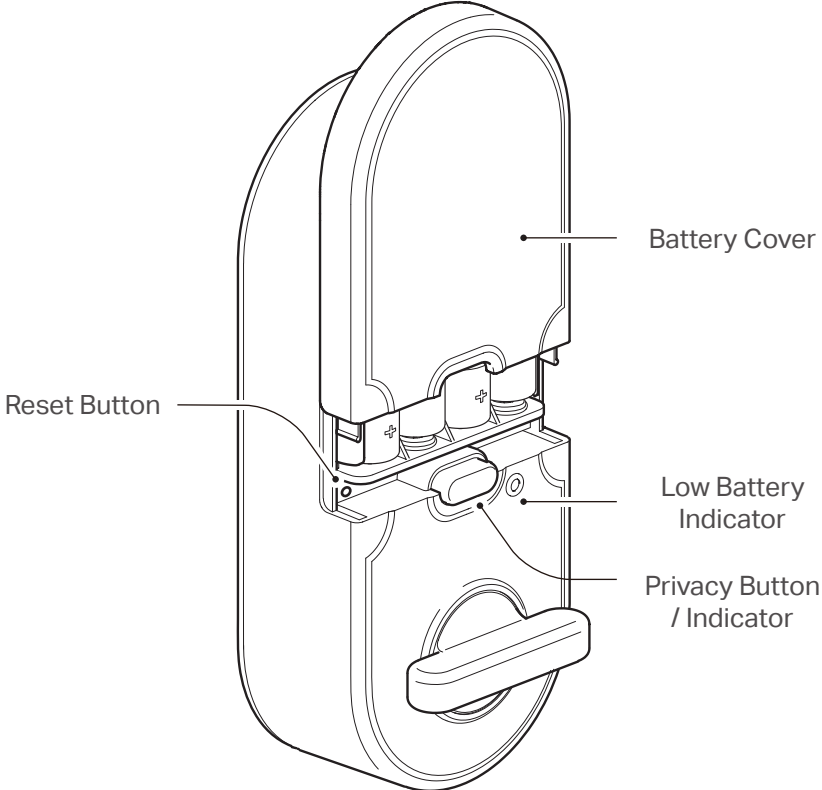
Table of Contents

KAPTURE Overview	1
Privacy Mode	5
Lockout	7
Physical Key Access	9
Auto-lock	11
Keypad Usage	13
Keypad Only Mode	15
- Setting the Length of the Keypad Code	16
- Setting the Master Keypad Code	17
- Adding a User's Keypad Code	18
- Deleting a User's Keypad Code	19
- Disabling the Auto-lock Setting	20
- Enabling Auto-lock/Setting Auto-lock Delay	21
- Changing the Buzzer's Volume	23
- Disabling Lockout Mode	25
- Enabling Lockout Mode	26
Factory Reset	27

KAPTURE Overview



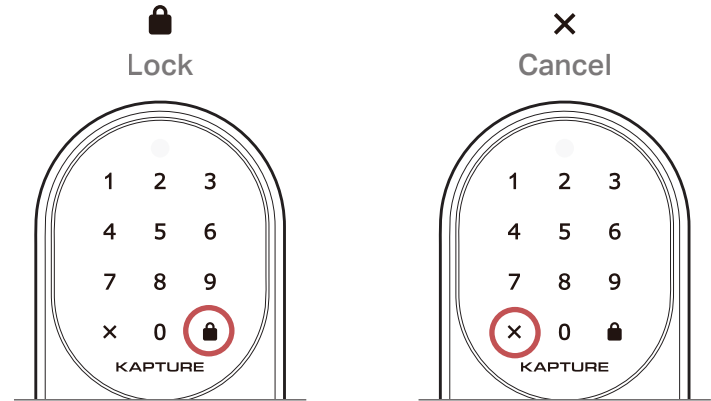
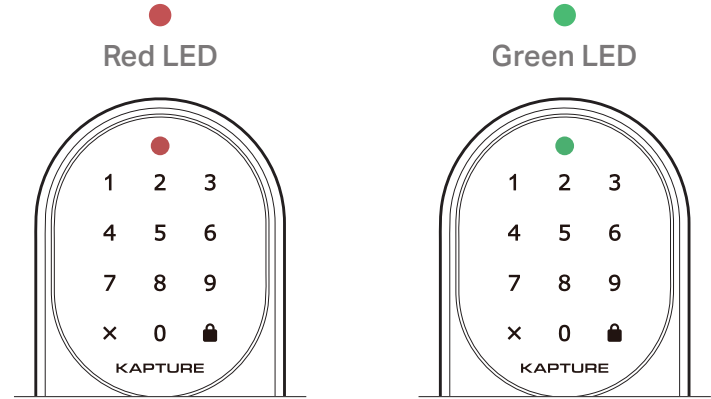
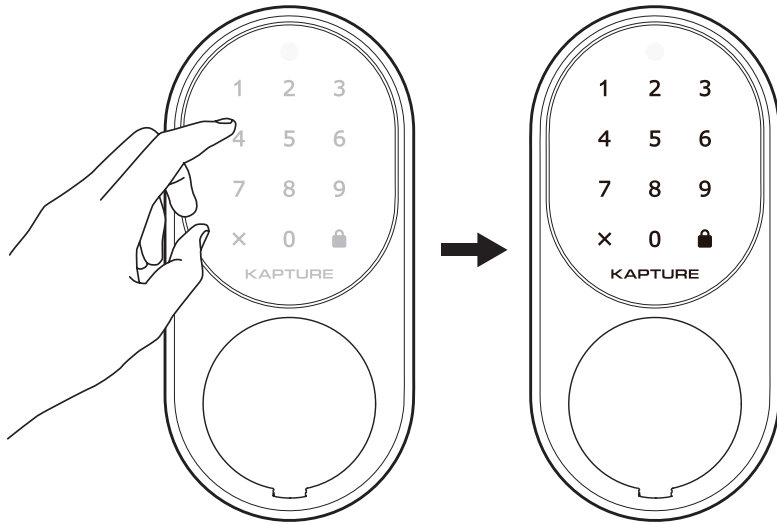
Keypad Unit



Interior Unit

List of Symbols

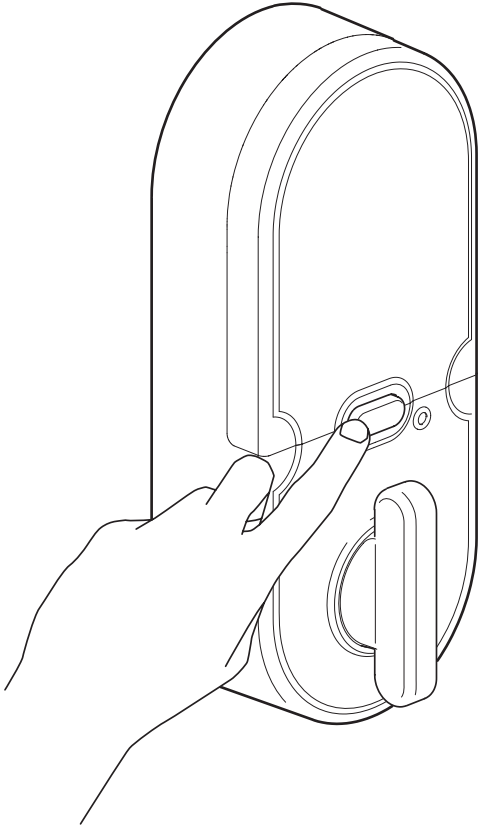
Touch the screen to wake up the keypad



Extends deadbolt to lock position


Sets keypad into hibernation mode

Privacy Mode




Privacy mode temporarily disables the keypad until a user unlocks Kapture either manually (either with the turnpiece or a physical key) or through the app. Auto-lock is also enabled while in privacy mode.


Enter Privacy Mode

To enter privacy mode, hold the privacy button down for 5 seconds. The indicator light will then flash ● twice and  twice.

Exit Privacy Mode

To exit privacy mode, hold the privacy button down for 5 seconds. The indicator light will then flash ● twice and  twice.

Notice

In privacy mode, if someone touches the keypad panel, the indicator light will flash ● 3 times and  3 times.

Lockout



2 ● flashes + 2 🔊)
once an incorrect
keypad code is entered

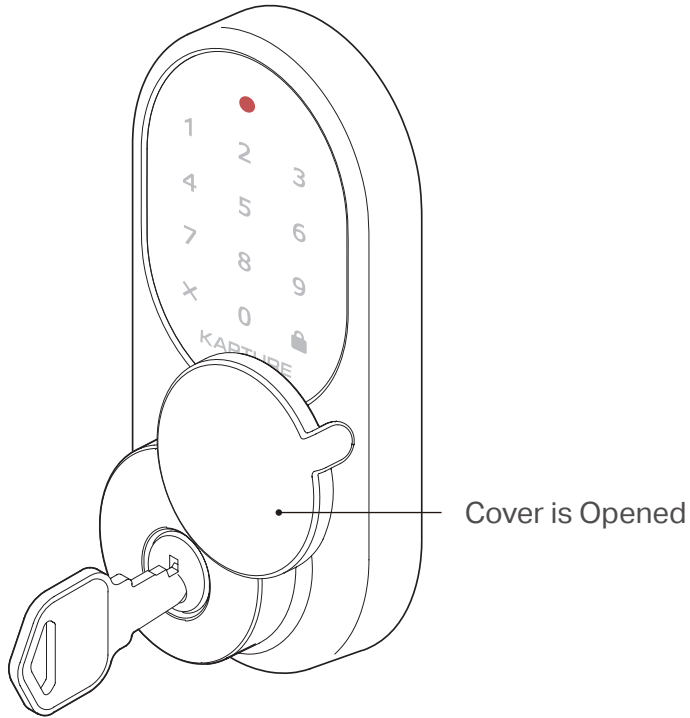
For enhanced security, the Kapture Smart Lock has a lockout feature where the keypad will be disabled for a set amount time after a set number of failed attempts.

- 3 failed attempts : keypad is disabled for 3 minutes
- 6 failed attempts : keypad is disabled for 30 minutes
- 9 failed attempts : keypad is disabled until unlocked with physical key or thumbturn.



Notice

This feature can be toggled on or off via keypad or mobile app.

Physical Key Access

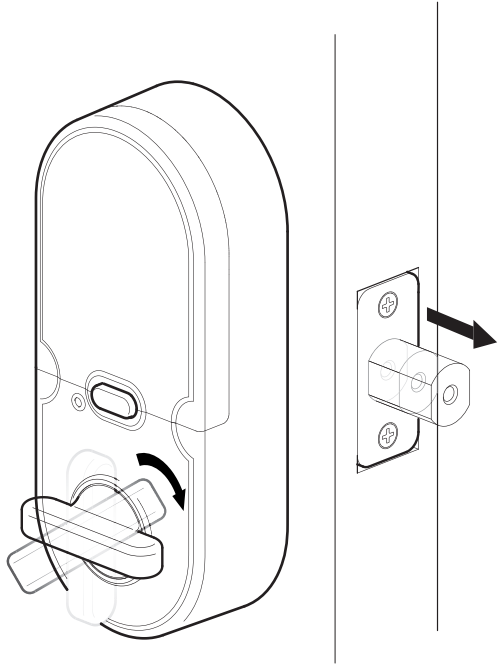


The Kapture Smart Lock can also be accessed with a physical key. For enhanced security, the built-in sensor will trigger an alert when the keyhole cover is opened.

Once the keyhole cover is opened, the buzzer will long  for 10 seconds the  will flash for 30 seconds.

When paired with the Kapture Link, the user will also receive an alert through the Kapture Home app.

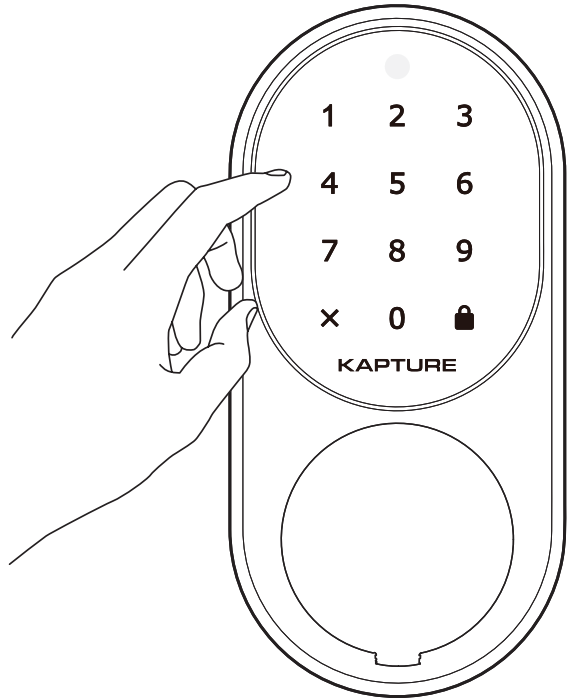
Auto-Lock



For added convenience, the Kapture Smart Lock has an auto-lock feature where the deadbolt will extend after a set amount of time.

The default auto-lock delay setting is set to 10 seconds. This feature can be changed or disabled through the keypad or the mobile app.

Keypad Usage



Unlocking with the Keypad

Touch the screen to wake up the keypad.

➔ Enter the master code.
(The default code is set to 1111)

➔ Enter the user's keypad code.

Locking with Keypad

Touch the screen to wake up the keypad ➔ Tap 

Keypad Only Mode

- Only works if the lock is unpaired and is set to an unlocked position.
- Keypad unit will hibernate automatically if it is not in use for more than 10 seconds.

Setting the Length of the Keypad Code

Step1.

Touch the screen to wake up the keypad.

Step2.

Enter the master code. (The default code is set to 1111)

Step3.

Tap 

Step4.

Tap **8**

Step5.

Tap **4** to set the master code to the default 4 digit code of 1111.

Tap **5** to set the master code to the default 5 digit code of 11111.

Tap **6** to set the master code to the default 6 digit code of 111111.

Confirmation

Long  and 

Notice.

All existing keypad codes will be deleted.

Setting the Master Keypad Code

After installing the device or resetting the device, be sure to set the master code.

Step1.

Touch the screen to wake up the keypad.

Step2.

Enter the master code.

Step3.

Tap 

Step4.

Tap **0** Twice.

Step5.

Enter a new master code.

Confirmation

Long  and 

Adding a User's Keypad Code

Step1.

Touch the screen to wake up the keypad.

Step2.

Enter the master code.

Step3.

Tap 

Step4.

Tap **1**



Step5.

Enter the new user's keypad code.

Confirmation

Long  and 

Error

 flashes and  (keypad code may already exist or the Smart Lock already holds the maximum of 99 keypad codes).

Deleting a User's Keypad Code

Step1.

Touch the screen to wake up the keypad.

Step2.

Enter the master code.

Step3.

Tap 

Step4.

Tap **2**


Step5.

Enter existing user's keypad code.

Confirmation

Long  and 

Error

2  flashes and 2 

Disabling the Auto-lock Setting

Step1.

Touch the screen to wake up the keypad.

Step2.

Enter the master code.

Step3.

Tap 

Step4.

Tap **1**

Step5.

Tap **0** 3 times

Confirmation

Long  and 

Enabling Auto-lock/Setting Auto-lock Delay

Step1.

Touch the screen to wake up the keypad.

Step2.

Enter the master code.

Step3.

Tap 

Step4.

Tap **1**

Step5.

Tap **0**

Step6.

Tap **1** ~ **9** to set the tens digits.

Step7.

Tap **0** ~ **9** to set the single digits.

Confirmation

Long  and 

Example.

If you tap **2** and **9** , then the auto-lock delay will be set to 29 seconds.

Auto-lock delay can be set anywhere from 10 to 99 seconds.

Changing the Buzzer's Volume

Step1.

Tap the screen to wake up the keypad.

Step2.

Enter the master code.

Step3.

Tap 

Step4.

Tap **2**

Step5.

Tap **0**

Step6.

Tap the screen to change the buzzer's volume.

Tap **0** to turn the volume "off".

Tap **1** to adjust the volume to "Low".

Tap **2** to adjust the volume to "Medium".

Tap **3** to adjust the volume to "High".

Confirmation

Long  and 

Disabling Lockout Mode

Step1.

Touch the screen to wake up the keypad.

Step2.

Enter the master code.

Step3.

Tap 

Step4.

Tap **4**

Step5.

Tap **0**

Confirmation

Long  and 

Enabling Lockout Mode

Step1.

Touch the screen to wake up the keypad.

Step2.

Enter the master code.

Step3.

Tap 

Step4.

Tap **4**

Step5.

Tap **1**

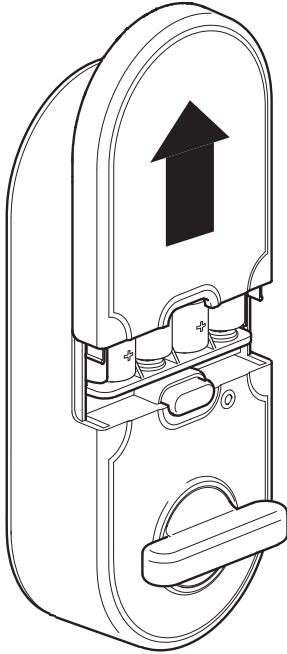
Confirmation

Long  and 

Factory Reset

Step1.

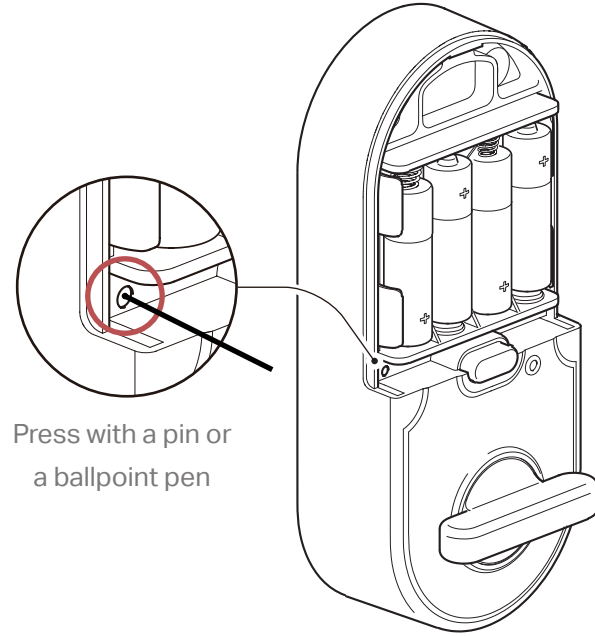
Remove the battery cover.



27

Step2.

Press and hold the reset button for 5 seconds.

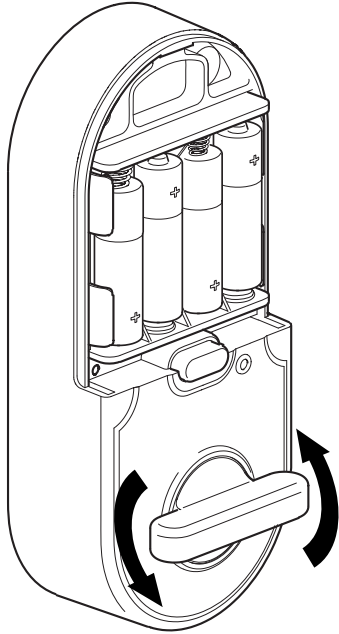


Press with a pin or
a ballpoint pen

28

Confirmation

The motor will run 2-3 times and set in a locked position.



Notice.

All keypad codes and mobile app credentials will be deleted. The lock will reset to the factory settings below :

Master Code	1111
Keypad Code Length	4 digits
Buzzer Volume	Medium
Lockout	Enabled
Auto-lock Delay	10 s